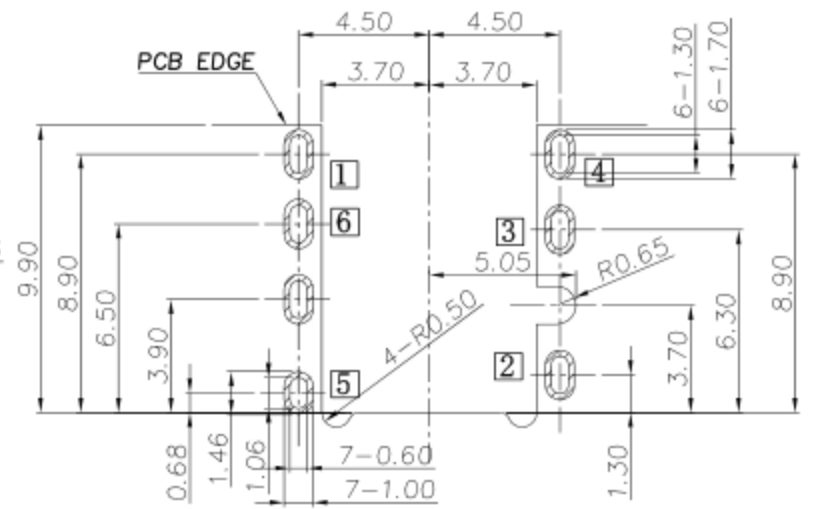
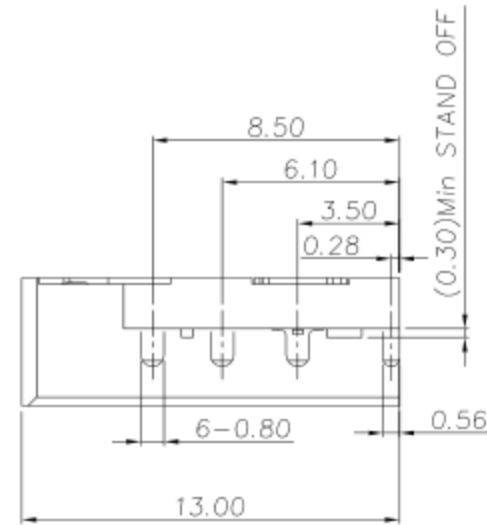
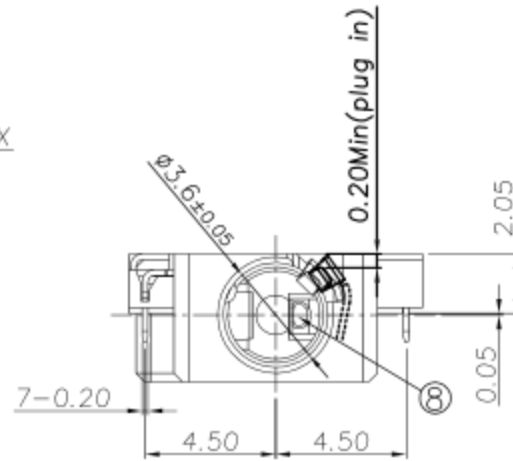
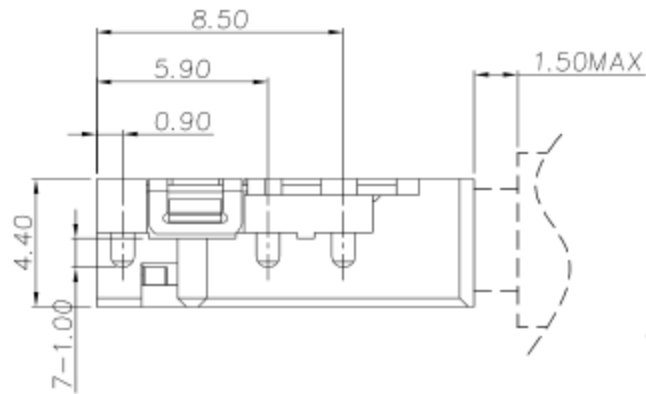
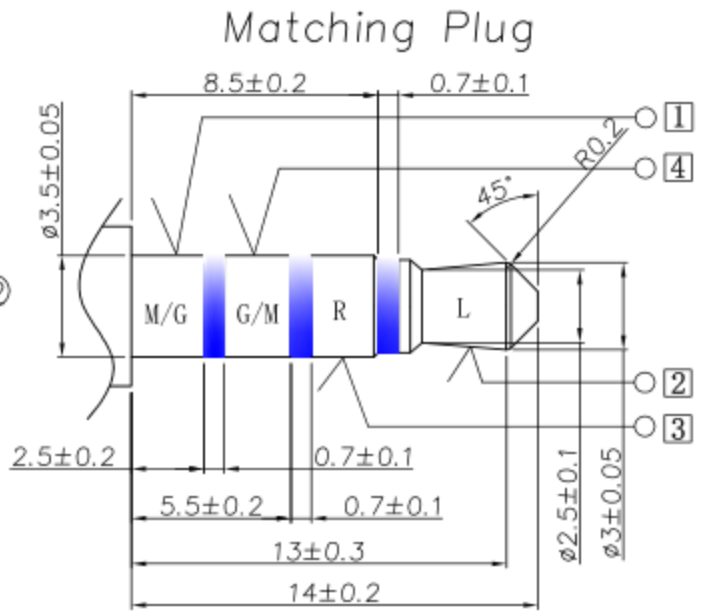
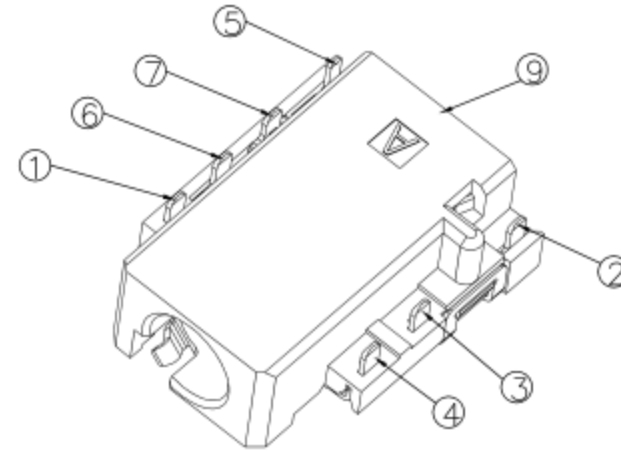
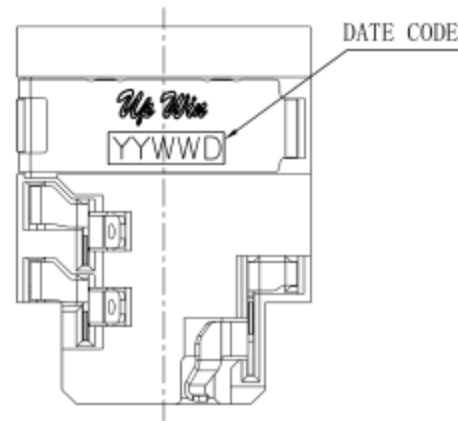
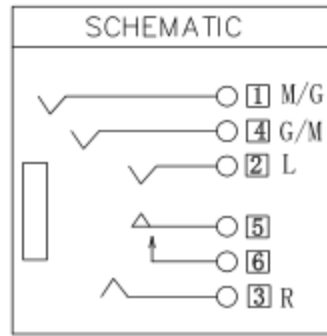


MODEL NO. :
PJR-D3261K - A BK7 AS02 L - RH

(1) (2) (3) (4) (5) (6)

- (1) Series no.
- (2) Schematic type: A, B, C
- (3) Housing color:
BK7=Black
- (4) Terminal plating:
AS02=Plating Tin/Gold 1u" min.
- (5) Packing mode:L=Reel packing
- (6) Environmental requirements:
Rh=RoHS 2.0 + Halogen Free



SPECIFICATION:

1. Electrical characteristics
 - 1-1. Current rating: DC 1.0A max.
 - 1-2. Voltage rating: DC 12V.
 - 1-3. Contact resistance: 50mΩ max.
 - 1-4. Insulation resistance: 100MΩ min. at 500V DC.
 - 1-5. Withstanding voltage: 500V AC for 1 minute.
2. Mechanical characteristics
 - 2-1. Life test: 5000 cycles min.
 - 2-2. Mating force: 3~30N.
 - Unmating force: 3~30N.



NO.	DESCRIPTION	QTY	MATERIAL	REMARK
9	Housing	1	HIGH TEMPERATURE PLASTIC	Black
8	Insulator	1	HIGH TEMPERATURE PLASTIC	Black
5	Transfer Spring [5]	1	Phosphor bronze, 0.20t	Gold Flash On Contact Area And Solder Tail Area, All over 50u" Nickel Plated
7	shell	1	Phosphor bronze, 0.20t	Plating Ni 50u"
6	Shunt terminal [6]	1	Phosphor bronze, 0.20t	Gold Flash On Contact Area 80u"matte tin
4	Ring spring [4]	1	Phosphor bronze, 0.20t	Plating on Solder Tail Area, All over 50u"Nickel Plated
3	Ring spring [3]	1	Phosphor bronze, 0.20t	
2	Tip spring [2]	1	Phosphor bronze, 0.20t	
1	Earth spring [1]	1	Phosphor bronze, 0.20t	

ECN NO.	REV	DATE	DESCRIPTION	CHANGE	APPRO.	GENERAL TOLERANCE UNLESS OTHERWISE NOTED	SCALE: 3:1	UNIT:mm	A4	SHEET: 1 of 1
	A-0	2017. 11. 20	NEW		李海鸥	Angle ±2° 10<L≤20 ±0.30 5<L≤10 ±0.25 L≤5 ±0.20				

东莞市高迪电子有限公司	
TITLE:	φ3.5mm PHONE JACK
MODEL NO.	PJR-D3261K-ABK7AS02L-RH
FILE NO.	Q/SSY.QW-001A-0XXX